

THIS DRAWING IS UNPUBLISHED. RELEASED FOR PUBLICATION  
 © COPYRIGHT - BY TYCO ELECTRONICS CORPORATION. ALL RIGHTS RESERVED.

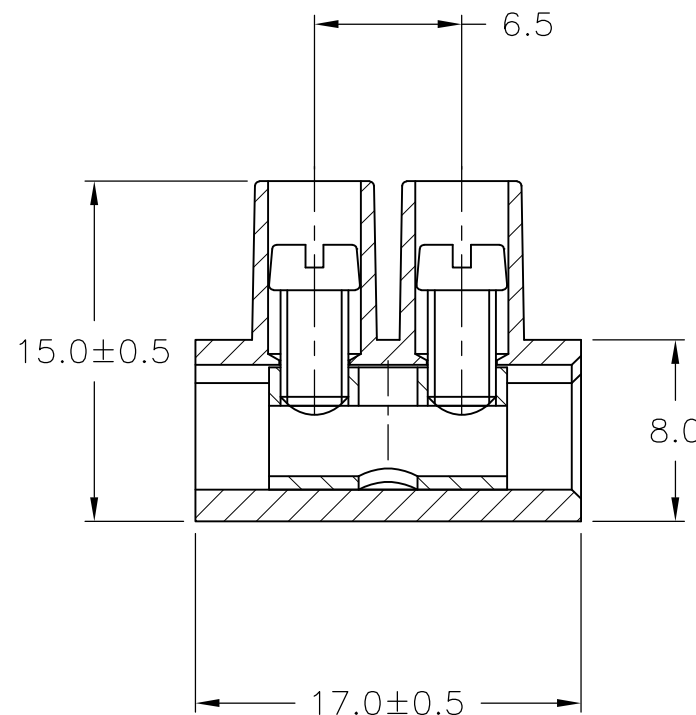
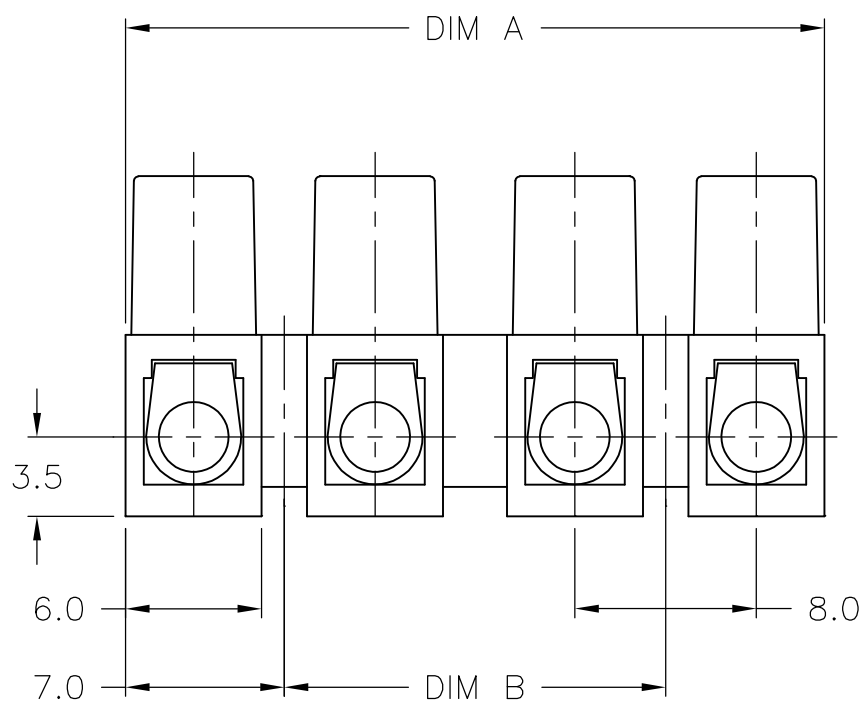
LOC	DIST	REVISIONS					
FT	0	P	LTR	DESCRIPTION	DATE	DWN	APVD
			01	REVISED PER ECO-07-019134	8/20/07	SS	CR

**MATERIALS:**  
 HOUSING: POLYAMIDE 6, UL94V-2.  
 COLOR: NATURAL.  
 TUBULAR CONTACT: BRASS, TIN PLATED.  
 SCREW: M3, STEEL, ZINC PLATED W/ NON-HEXAVALENT CHROMATE (CHROME III).

**MECHANICAL:**  
 PITCH: 8.0mm  
 WIRE STRIP LENGTH: 5mm  
 MIN. WIRE PULL OUT: 75 LBS.  
 RECOMMENDED TIGHTENING TORQUE: 5 IN-LB.

**ELECTRICAL PROPERTIES:**  
 MAXIMUM CURRENT: 30A  
 OPERATING VOLTAGE: 250V  
 WIRE RANGE: 12-24 AWG  
 DIELECTRIC WITHSTAND: 3000V

**ENVIRONMENTAL PROPERTIES:**  
 CONTINUOUS WORKING TEMP: -35°C TO +100°C



80.0	94.0±1.0	12	TSB230 12	1-1776294-2
72.0	86.0±0.7	11	TSB230 11	-
64.0	78.0±0.7	10	TSB230 10	1-1776294-0
56.0	70.0±0.7	9	TSB230 09	1776294-9
48.0	62.0±0.7	8	TSB230 08	1776294-8
40.0	54.0±0.7	7	TSB230 07	-
32.0	46.0±0.7	6	TSB230 06	1776294-6
24.0	38.0±0.5	5	TSB230 05	1776294-5
16.0	30.0±0.5	4	TSB230 04	1776294-4
8.0	22.0±0.5	3	TSB230 03	1776294-3
-	14.0±0.5	2	TSB230 02	1776294-2
-	6.0±0.3	1	TSB230 01	1776294-1
DIM B	DIM A	NO. OF POS.	CATALOG NUMBER	PART NUMBER

THIS DRAWING IS A CONTROLLED DOCUMENT.		DWN S SCHLEGEL 3/18/05	Tyco Electronics Corporation Harrisburg, Pa 17105-3608			
DIMENSIONS: mm		CHK C RICHARD 3/18/05				
TOLERANCES UNLESS OTHERWISE SPECIFIED:		APVD C RICHARD 3/18/05	NAME 8.0mm PITCH, 30A, W/ TUNNEL CONNECTION EUROPA TERMINAL BLOCK			
0 PLC ± - 1 PLC ± 0.3 2 PLC ± 0.25 3 PLC ± - 4 PLC ± - ANGLES ± -		PRODUCT SPEC -	APPLICATION SPEC -			
MATERIAL -	FINISH -	WEIGHT -	SIZE A3	CAGE CODE 00779	DRAWING NO G-1776294	RESTRICTED TO -
CUSTOMER DRAWING			SCALE NTS	SHEET 1 OF 1	REV 01	